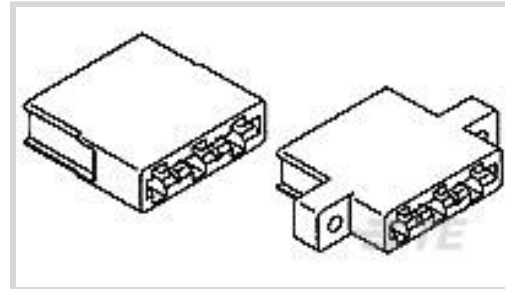




Connectors > PCB Connectors > Wire-to-Board Connectors > Wire-to-Board Connector Assemblies & Housings



Connector Product Type: **Housing**

Connector & Housing Type: **Receptacle**

Connector System: **Wire-to-Board**

Number of Positions: **12**

Centerline (Pitch): **7.92 mm [.312 in]**

Features

Product Type Features

Connector Product Type	Housing
Connector & Housing Type	Receptacle
Connector System	Wire-to-Board
Sealable	No
Connector & Contact Terminates To	Wire & Cable

Configuration Features

Number of Positions	12
Number of Rows	1

Electrical Characteristics

Operating Voltage	600 VAC
-------------------	---------

Contact Features

Contact Layout	Inline
Contact Type	Socket
Contact Base Material	Copper Alloy
Contact Current Rating (Max)	30 A

Mechanical Attachment

Strain Relief	Without
Panel Mount Feature	Without



PCB Mount Retention	Without
Panel Mount Feature Type	Mounting Ears
Mating Retention	Without
Connector Mounting Type	Board Mount

Housing Features

Housing Entry Configuration	Both Ends Closed
Housing Material	Nylon 6/6
Centerline (Pitch)	7.92 mm[.312 in]
Housing Color	White

Dimensions

Connector Length	35.56 mm[1.4 in]
Connector Height	11.1 mm[.437 in]
PCB Thickness (Recommended)	1.57 mm[.062 in]
Wire Size	16 – 10 AWG

Usage Conditions

Operating Temperature Range	-40 – 95 °C[-40 – 203 °F]
-----------------------------	---------------------------

Operation/Application

Circuit Application	Power
---------------------	-------

Industry Standards

Glow Wire Rating	Standard Part - Not Glow Wire
UL Flammability Rating	UL 94V-0

Packaging Features

Packaging Quantity	75
Packaging Method	Box

Other

Comment	Designed to accept 1.40-1.78 [.055-.070] thick daughter boards- use intercontact Keying Plug #530533-1.
---------	---

Product Compliance

[For compliance documentation, visit the product page on TE.com>](#)

EU RoHS Directive 2011/65/EU	Compliant
------------------------------	-----------

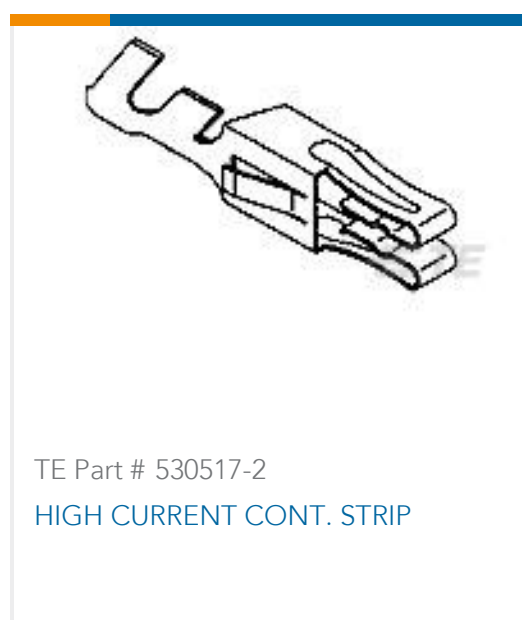
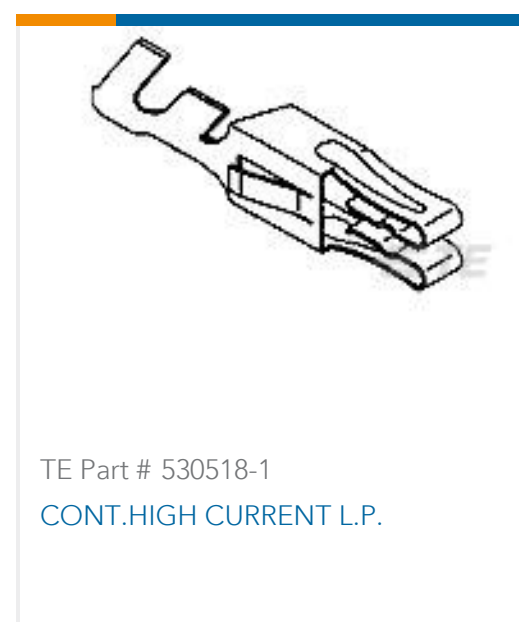


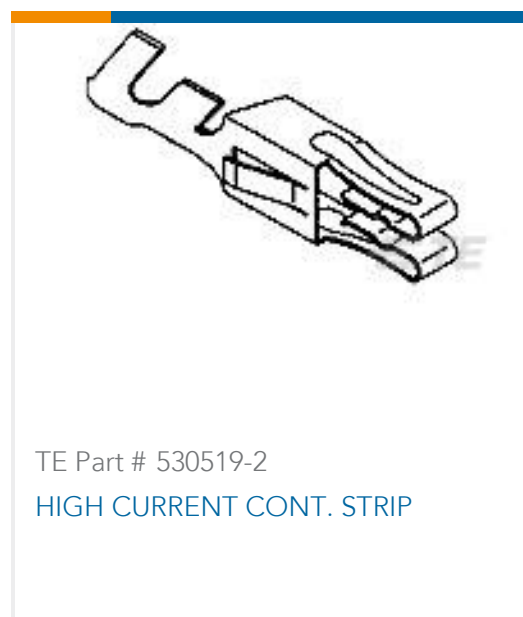
EU ELV Directive 2000/53/EC	Compliant
China RoHS 2 Directive MIIT Order No 32, 2016	No Restricted Materials Above Threshold
EU REACH Regulation (EC) No. 1907/2006	Current ECHA Candidate List: JUNE 2022 (224) Candidate List Declared Against: JUNE 2022 (224) Does not contain REACH SVHC
Halogen Content	Not Low Halogen - contains Br or Cl > 900 ppm.
Solder Process Capability	Not applicable for solder process capability

Product Compliance Disclaimer

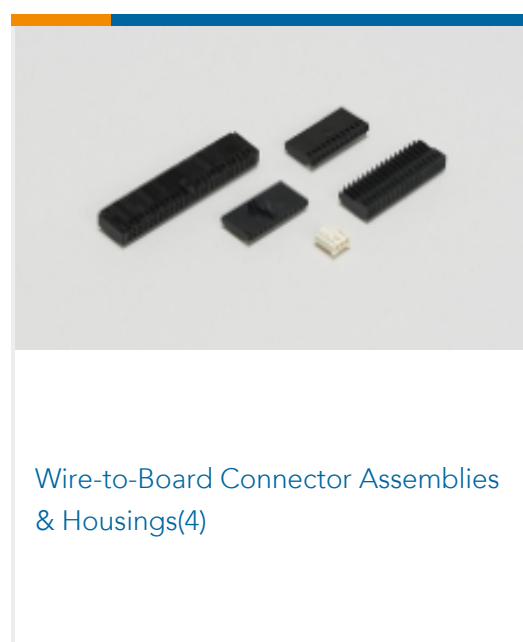
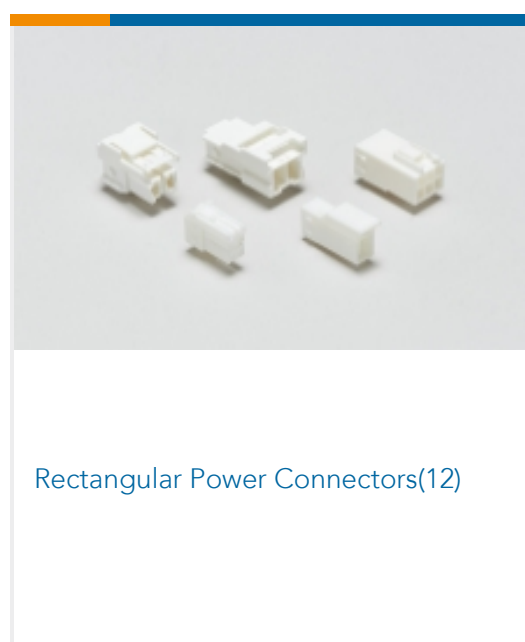
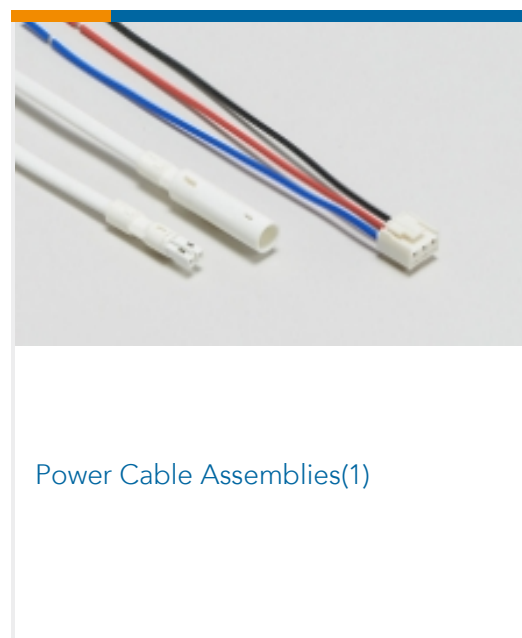
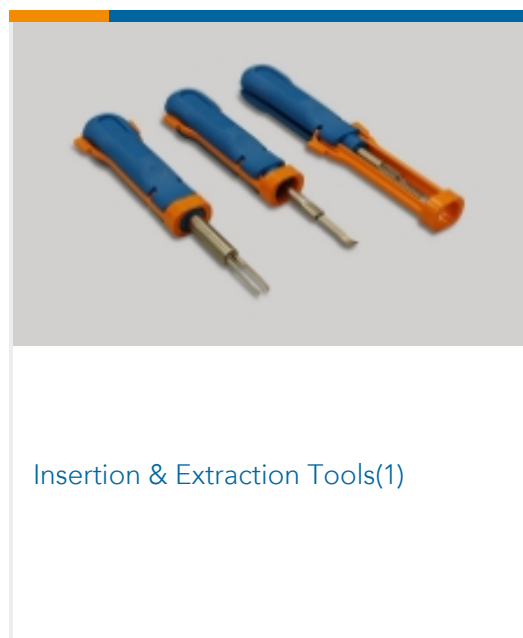
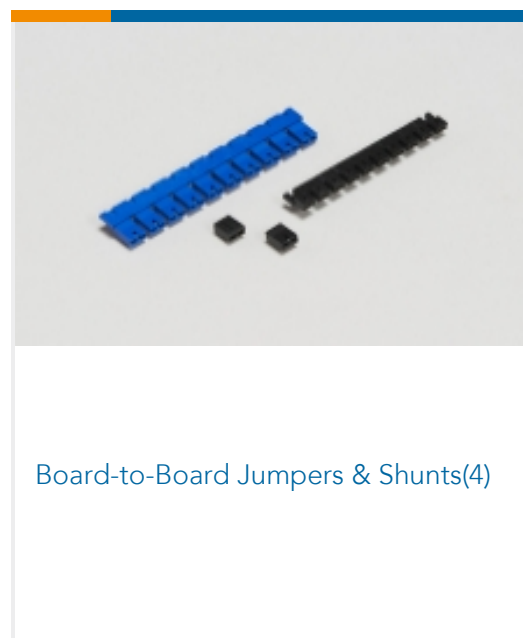
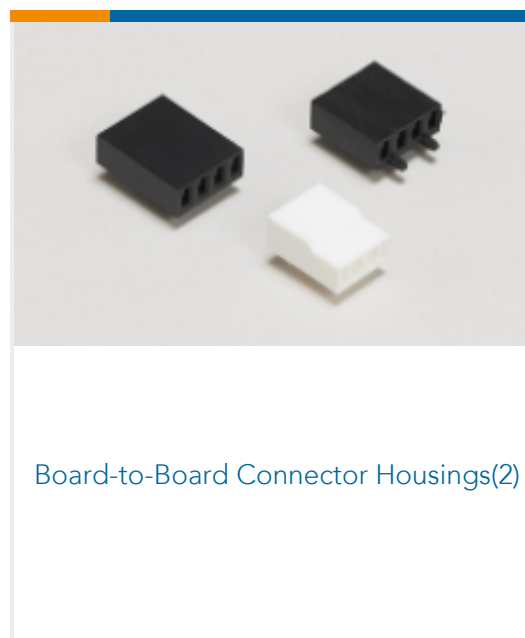
This information is provided based on reasonable inquiry of our suppliers and represents our current actual knowledge based on the information they provided. This information is subject to change. The part numbers that TE has identified as EU RoHS compliant have a maximum concentration of 0.1% by weight in homogenous materials for lead, hexavalent chromium, mercury, PBB, PBDE, DBP, BBP, DEHP, DIBP, and 0.01% for cadmium, or qualify for an exemption to these limits as defined in the Annexes of Directive 2011/65/EU (RoHS2). Finished electrical and electronic equipment products will be CE marked as required by Directive 2011/65/EU. Components may not be CE marked. Additionally, the part numbers that TE has identified as EU ELV compliant have a maximum concentration of 0.1% by weight in homogenous materials for lead, hexavalent chromium, and mercury, and 0.01% for cadmium, or qualify for an exemption to these limits as defined in the Annexes of Directive 2000/53/EC (ELV). Regarding the REACH Regulation, the information TE provides on SVHC in articles for this part number is based on the latest European Chemicals Agency (ECHA) 'Guidance on requirements for substances in articles' posted at this URL: <https://echa.europa.eu/guidance-documents/guidance-on-reach>

Compatible Parts





Also in the Series | AMP MR



Documents

[Product Drawings](#)
HIGH CURRENT HSG 12 POS

English

- [CAD Files](#)
- [3D PDF](#)
- [3D](#)
- [Customer View Model](#)



[ENG_CVM_CVM_530521-9_U.2d_dxf.zip](#)

English

Customer View Model

[ENG_CVM_CVM_530521-9_U.3d_igs.zip](#)

English

Customer View Model

[ENG_CVM_CVM_530521-9_U.3d_stp.zip](#)

English

Customer View Model

[ENG_CVM_530521-9_H.3d_igs.zip](#)

English

Customer View Model

[ENG_CVM_530521-9_H.3d_stp.zip](#)

English

Customer View Model

[ENG_CVM_530521-9_H.2d_dxf.zip](#)

English

3D PDF

English

By downloading the CAD file I accept and agree to the [Terms and Conditions](#) of use.

Product Specifications

[Application Specification](#)

English

Agency Approvals

[Agency Approval Document](#)

English